

I

mplementing A Successful Emissions Credits Strategy

Consider this scenario:

The distribution of SO₂ emissions credits has been finalized and your plant has been allocated fewer credits than your estimated usage to meet load demand over the next year, based on your existing operating strategy. Faced with a \$2,000 per ton fine and an equivalent reduction in credits the following year, corporate management must decide how to most efficiently and profitably execute the available options.



Your choices include either implementing operational changes or buying emissions credits on the open market. The cost of each, a major consideration of the equation, is dependent on changing operating and market conditions.

With its integrated LAN and WAN systems approach to information management, KVB systems offer corporate management the capability of tracking



current operating costs. Actual year-to-date emissions usage compared to planned usage and other essential information, for both individual sites and system-wide analyses, are accessible in just a few key strokes. Critical decisions, such as to buy or sell emissions credits, can be made based on a thorough understanding of every aspect of your plant's emissions performance.

KVB/Analect, with over 20 years experience in the CEMS industry, is backed by the power and stability of Air & Water Technologies. We have the power and expertise to design a system to meet your current and future needs.



Research-Cottrell
KVB/Analect

9342 Jeronimo
Irvine, CA 92718
Tel: 714-587-2300
Fax: 714-587-0250

Air Pollution Control Division • Custodis • Ecodyne Cooling
Tower Services • Flex-Kleen • KVB/Analect • R-C Environmental
Services & Technologies • R-C Europe • REECO



Compliance and Compliance Plus are trademarks of KVB/Analect.
CG020792

Affiliates of Air & Water
Technologies Corporation





Why You Need An Information Management Strategy for Your CEMS

Today's Continuous Emissions Monitoring System (CEMS) must be capable of extracting and analyzing intricate and voluminous data. KVB Compliance™ software and KVB CEMS are the only systems specifically designed to convert this regulatory data into an information management tool that enhances your daily site and corporate management operations.

Defining an Emissions Information Management Strategy

At the start of every project, we ask:

- Now that you are required to capture this data, how can it optimize your operations?
- Where does the data need to go?
- When does it need to be there?

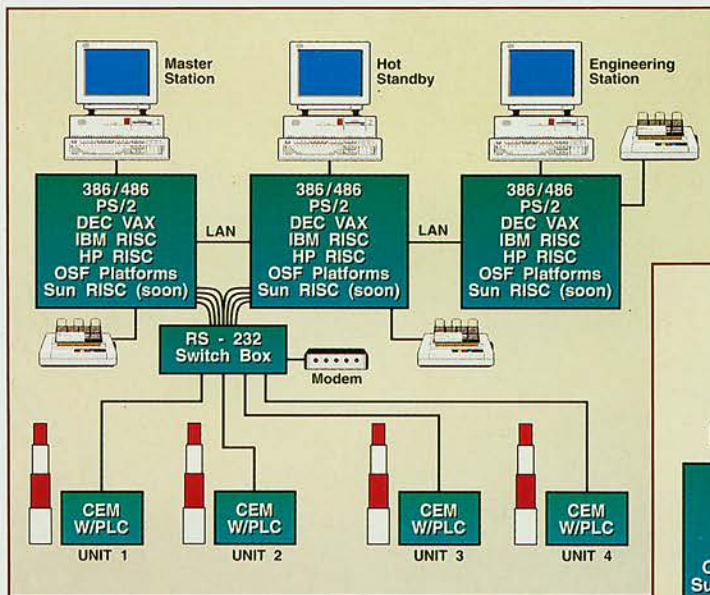
Then we apply our experience and resources to create the most efficient system to meet your organization's current and future requirements.

Whether you are installing a CEMS on one stack or multiple sites, KVB/Analect can integrate your local area networks (LANs) and wide area networks (WANs) into a symbiotic structure that supplies the appropriate information where it is needed, when it is needed.

The Financial Impact

The result of our systems approach: vital information never before available but which can significantly influence your profitability and operations becomes immediately accessible. In addition to generating the required regulatory reports, your CEMS becomes a tactical medium to:

- Manage emissions compliance
- Optimize emissions trading strategies
- Support operational strategy decisions
- Minimize maintenance costs
- Improve operating efficiency



Typical Three Plant System

At the corporate level, Compliance routes information throughout your organization to assist in managing your emissions credits program, improve productivity, and provide real-time data for system-wide analyses.

Typical Four Stack Plant

At the plant level, KVB Compliance assists in maintaining compliance and improving productivity. A KVB configured system affords computing efficiencies by collecting data from multiple CEMS with a single Data Acquisition System.

